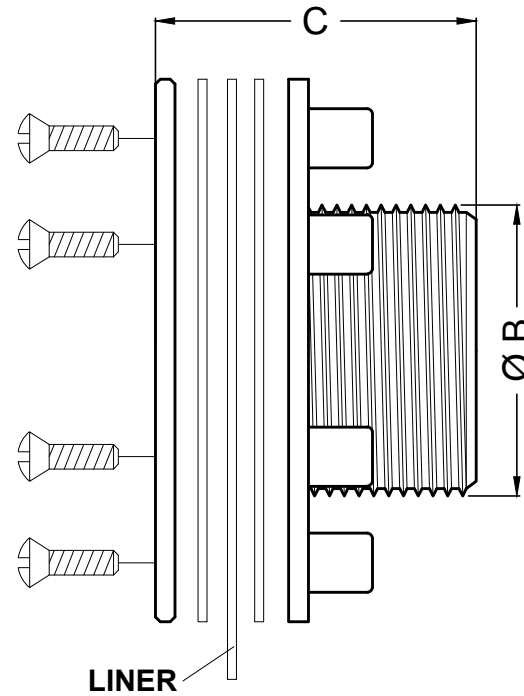
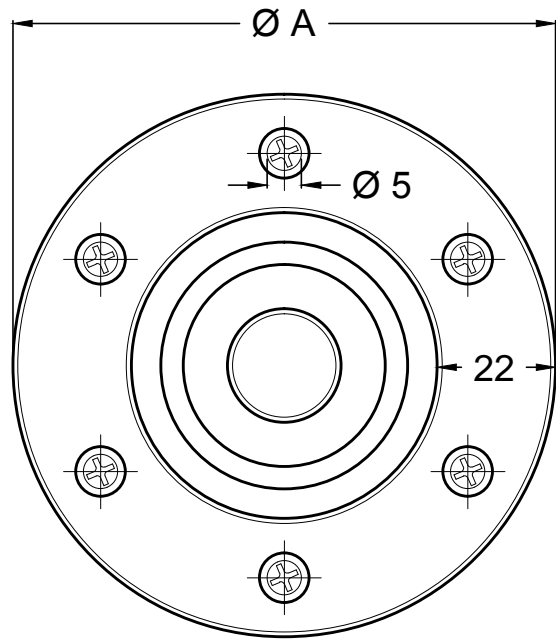
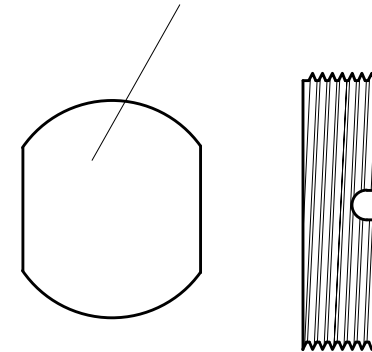


BOCCHETTA A SFERA ORIENTABILE A PARETE PER LINER WALL INLET FITTINGS WITH DIRECTIONAL SPHERE FOR LINER



316 L - V4 A

Sfera inox orientabile
Stainless steel directional sphere



CODICE / CODE	Ø A	Ø B	C	PORTATA RANGE
	mm	pollici / inch	mm	mc / h
17 022	96	1" 1/2 - M	47	4
17 023	106	2" - M	50	6
17 025	137	3" - M	52	13