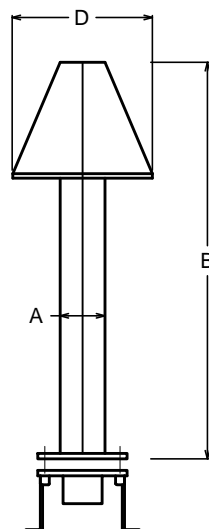
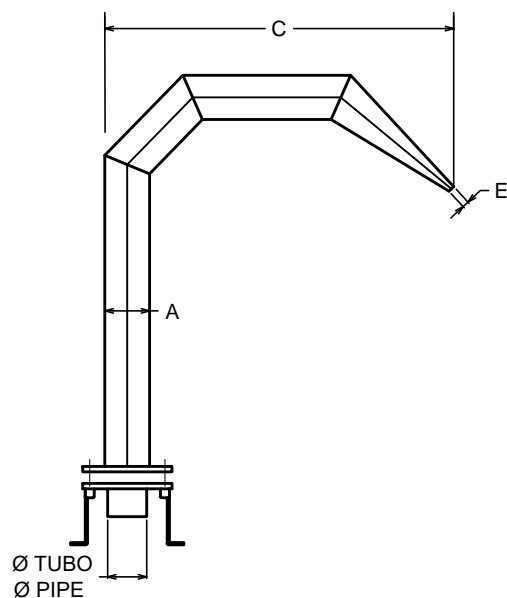


# FONTANA INOX A VENTAGLIO - CERVICALI STAINLESS STEEL FAN FOUNTAIN - CERVICAL

## CONTROFLANGIA DA CEMENTARE CONCRETE COUNTERFLANGE

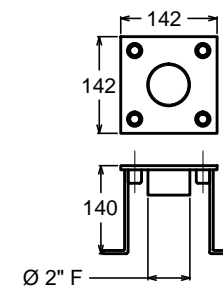
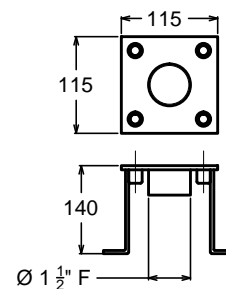


PER FONTANE  
FOR FOUNTAINS

CODICE / CODE  
71 801 - 71 803  
71 804 - 71 805

PER FONTANA  
FOR FOUNTAIN

CODICE / CODE  
71 802



COSTRUITA IN ACCIAIO INOX AISI 316 L - V4A  
MANUFACTURED WITH AISI 316 L - V4A STAINLESS STEEL

CODICE CODE	TIPO TYPE	A	B	C	D x E	Ø TUBO Ø PIPE	PORTATA FLOW RATE
71 801	VC- 170	50x50	700	520	170 x 8	mm 50	18 mc/h
71 802	VC- 250	80x80	700	620	250 x 8	mm 63	25 mc/h
71 803	VC- 120	50x50	500	380	120 x 8	mm 50	8 mc/h
71 804	VC- 170	50x50	500	380	170 x 8	mm 50	10 mc/h
71 805	VC- 200	60x60	500	580	200 x 8	mm 50	13 mc/h