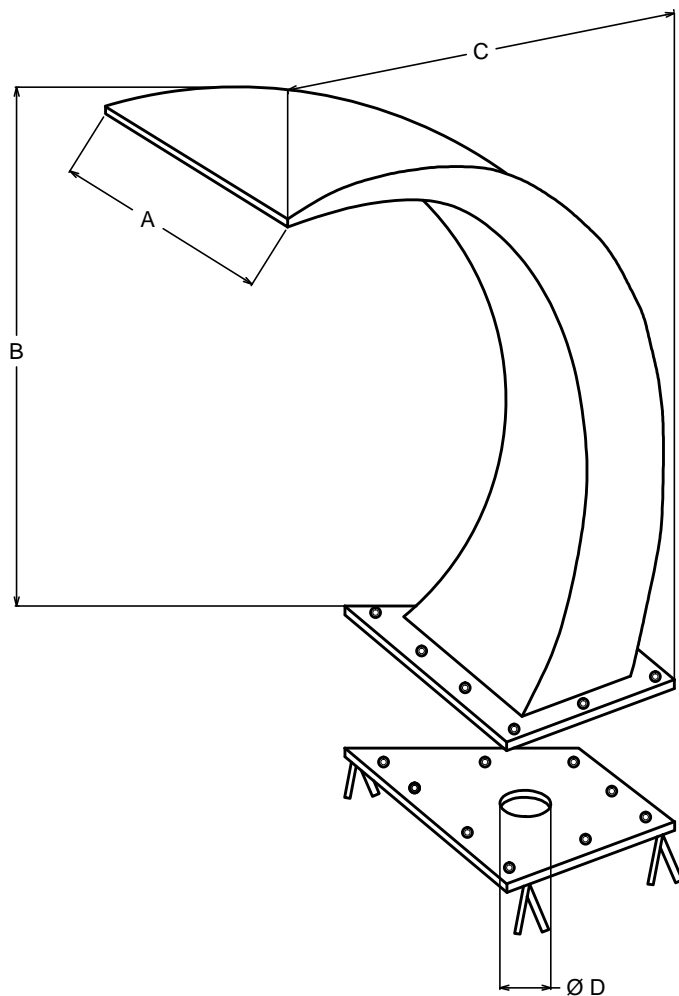


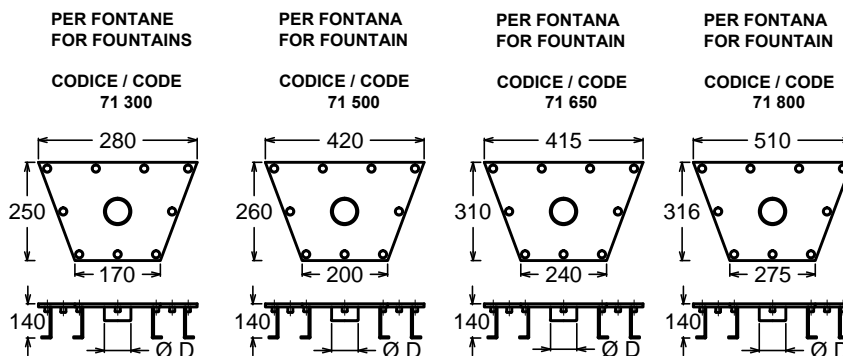
FONTANA INOX A CASCATA TIPO COBRA

STAINLESS STEEL FOUNTAIN TYPE COBRA



CODICE CODE	TIPO TYPE	A	B	C	Ø D	PORTATA FLOW RATE
71 300	CB/300	300	650	600	2" F	20 mc/h
71 500	CB/500	500	650	600	2 1/2" F	32 mc/h
71 650	CB/650	650	800	750	3" F	50 mc/h
71 800	CB/800	800	1000	920	4" F	60 mc/h

CONTROFLANGIA DA CEMENTARE CONCRETE COUNTERFLANGE



COSTRUITA IN ACCIAIO INOX AISI 316 L - V4A
COMPLETA DI ANCORAGGIO DI BASE

MANUFACTURED WITH AISI 316 L - V4A STAINLESS STEEL
COMPLETE WITH FLANGE FOR FIXING TO THE PAVING