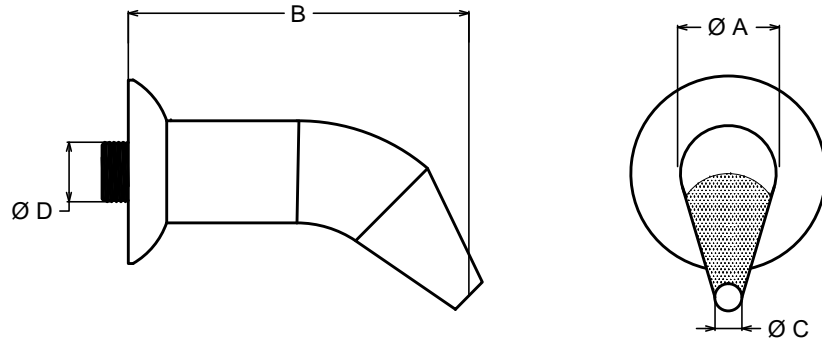


FONTANE INOX A PARETE STAINLESS STEEL FOUNTAINS - WALL TYPE

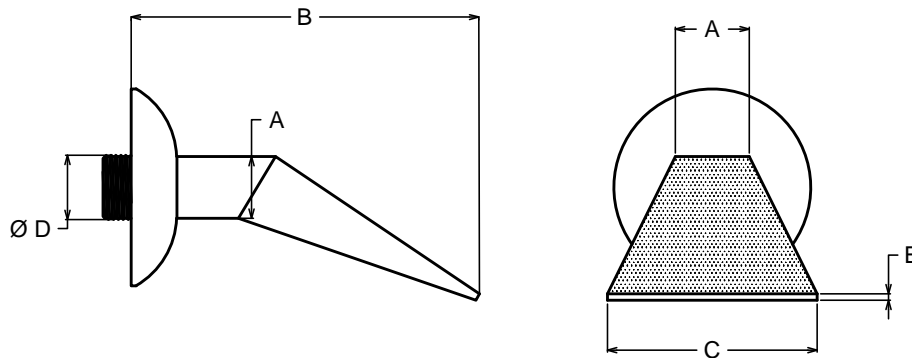
TIPO TYPE **UP** - UGELLO



CODICE CODE	TIPO TYPE	Ø A	B	Ø C	Ø D	POMPA PUMP	PORTATA FLOW RATE
72 600	UP - 60	60	200	27	1 1/4" M	0,75 HP	10/12 mc/h
72 601	UP - 89	89	280	27	1 1/2" M	1,00 HP	15/18 mc/h

**COSTRUITE IN ACCIAIO INOX AISI 316 L - V4A
MANUFACTURED WITH AISI 316 L - V4A STAINLESS
STEEL**

TIPO TYPE **VP** - VENTAGLIO



CODICE CODE	TIPO TYPE	A	B	C x E	Ø D	POMPA PUMP	PORTATA FLOW RATE
72 650	VP - 120	60	210	120x6	1 1/4" M	0,50 HP	8/10 mc/h
72 651	VP - 170	60	250	170x6	1 1/2" M	1,00 HP	10/15 mc/h
72 652	VP - 250	80	315	250x6	2" M	2,00 HP	20/25 mc/h
72 653	VP - 400	120	315	400x8	2" M	3,00 HP	25/30 mc/h