

AQUAMATIC ELECTRICALS SUPPLY AND CONNECTIONS

HYDRAULIC POWERPACK (Hydraulic Pump) Motor is Supplied from the Manufacturer with a flexible conduit with 3 Single Core Leads. INSTALL A 20AMP TYPE B MICRO CIRCUIT BREAKER (M.C.B) PRIOR TO THERMAL OVERLOAD.

GREEN / YELLOW = Connect to EARTH
RED = Connect to RED/LIVE
BLACK = Connect to NEUTRAL (L2)

Install a Thermal Magnetic Motor Circuit Breaker supplied (TELEMECANIQUE GV2 ME14 (6 TO 10 AMP RANGE). **This item is a self tripping on overload and MUST be installed on all Aquamatic Cover Systems.** See dia. for wiring instructions.

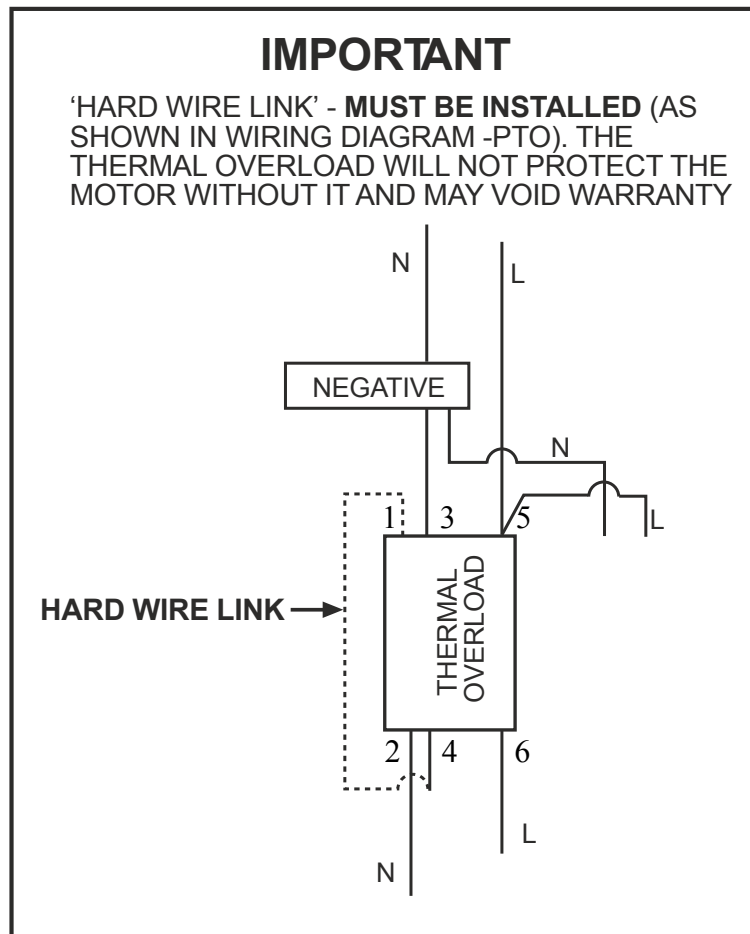
NOTES :- if connecting to a fuse board a 20 AMP MCB must be installed prior to overload.

All motors are single phase. Use all three poles to give correct tripping times for motor protection.

Powerpack (hydraulic pump) must not be installed into pit housing.

Key switch MUST be sited in a position that will enable the end user to have a full view of the cover when in operation. **Failure to comply with these instructions may invalidate your warranty.**

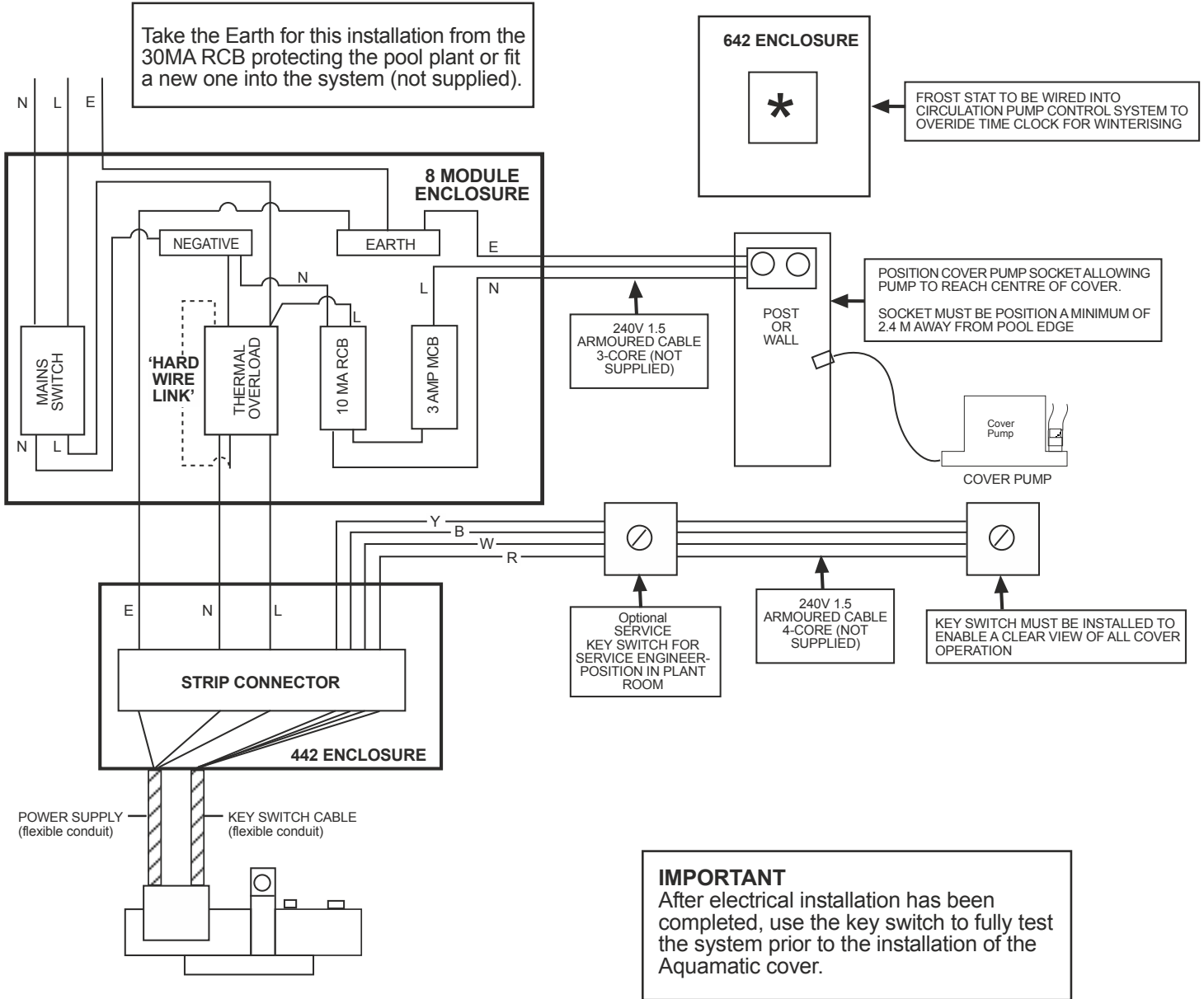
If the key switch is not easily accessible for maintenance/servicing it is advisable to install a second key switch in-line near the plant room.



IT IS ESSENTIAL THAT ALL ELECTRIC SUPPLIES AND CONNECTIONS ARE CARRIED OUT BY A QUALIFIED ELECTRICIAN & PRIOR TO AQM INSTALLATION

WIRING DIAGRAM FOR AQM SAFETY COVER

POWER SUPPLY



POWER PACK

KEY SWITCH 4 WIRE SYSTEM (4 x CORE MANUFACTURERS LEAD COLOURS)

- RED 7 = SUPPLY TO SWITCH FROM MOTOR TERMINAL BOX.
- WHITE 8 = SWITCH TO VALVE CABLE (DIRECTION 1)
- BLUE 2 = SWITCH TO VALVE CABLE (DIRECTION 2)
- YELLOW 4 = SWITCH TO MOTOR IN MOTOR TERMINAL BOX

TO TEST RUN MOTOR WITHOUT KEY SWITCH FITTED:-

- Direction 1* Connect together:- WHITE / RED / YELLOW from key switch wiring
- Direction 2* Connect together:- RED / BLUE / YELLOW from key switch wiring

To alter direction of cover travel, transfer white wire from NO.8 to NO.2 and blue wire from No.2 to NO.8

FROST PROTECTION THERMOSTAT - As the pool water level is to remain constant all year round i.e. Skimmer level a Frost Protection Thermostat is supplied with your electric components pack. The **Frost-stat must be installed** to ensure that the filtration plant (circulation pump) automatically operates in the event that the temperature drops to below freezing point, this is to protect Skimmer(s) and pipework etc. from freezing. A 'plastic housing' is supplied to enable the Frost-stat to be positioned externally.

WIRING DIAGRAM FOR AQM *to extend & reposition Key Switch*

With Electricity disconnected, remove cover of Key Switch and cut wires on Terminals leaving approx. 10mm of wire on Terminal to identify wire colour on respective Terminal.

Put switch to one side and unscrew locking holding box to flexible conduit. Fit P.V.C junction box to flexible conduit.

Extend wiring to new switch position using 4 Core SWA/PVC Cable or PVC Conduit. Wiring Cable size 1.5mm.

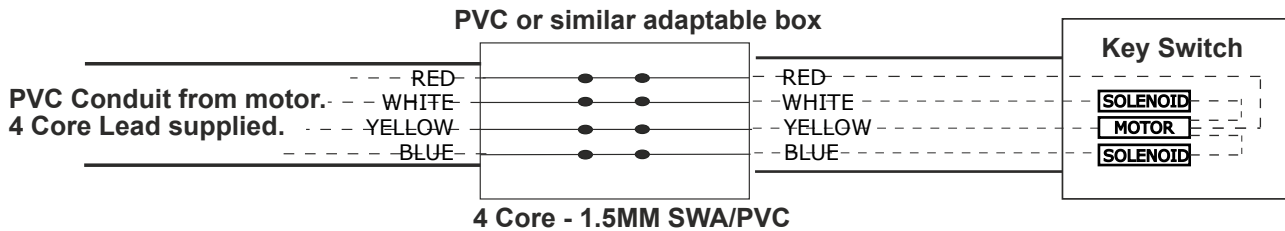
Refit switch box to end of new cable and refit switch and motor ends matching up colours to existing connections.

Fit one wire at a time, removing cut length from switch & inserting new wire. Normal wire colours on switch/motor connection to key switch= Red / White / Blue / Yellow

For internal wiring, Surface wiring cable could be used.

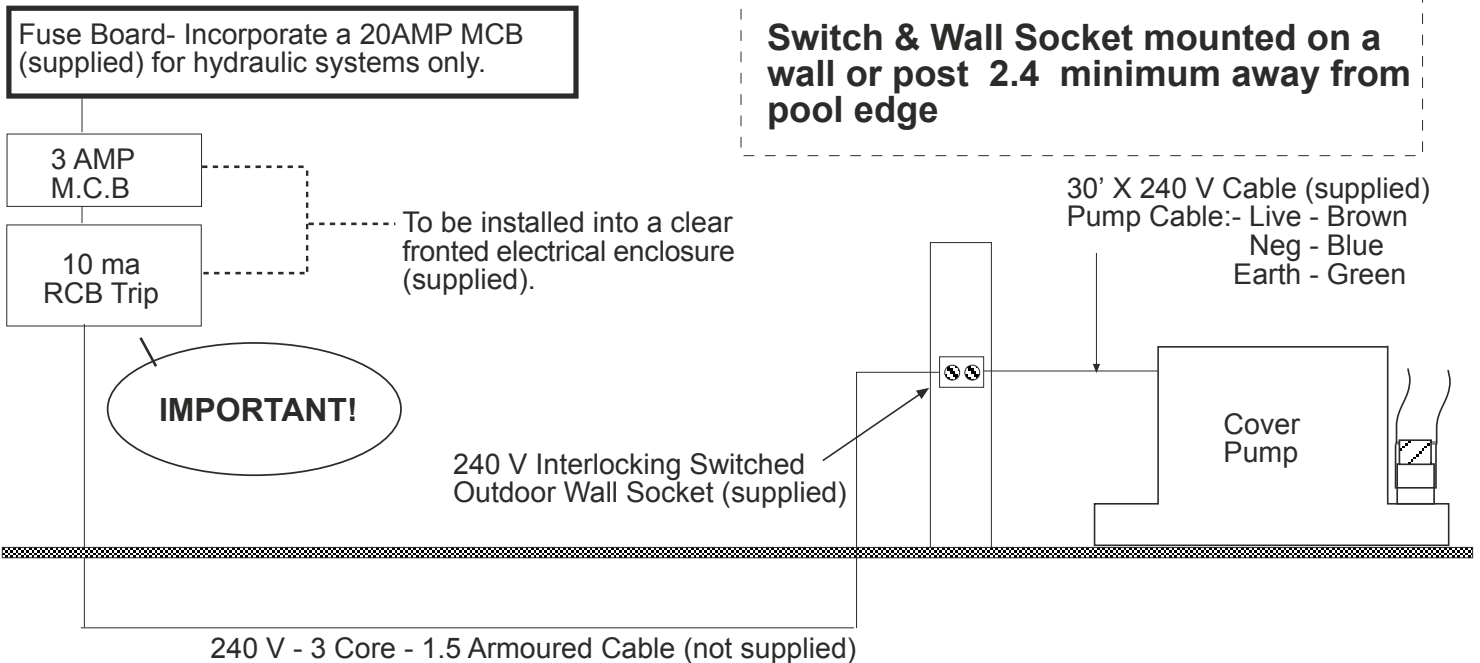
WARNING//DANGER
Switch Voltage 240 Volts

KEY SWITCH MUST NOT BE WITHIN 2.4m OF POOL EDGE



AQM COVER PUMP INSTALLATION

This method of installation will enable customer to switch on/off the cover pump at a more local position to the swimming pool.



ALL WIRING TO BE PROTECTED BY 30 MA RCB
COVER PUMP MUST PROTECTED BY A 10MA RESIDUAL CIRCUIT BREAKER

ELECTRICAL COMPONENT LIST

PACK 'A' - FOR OUTDOOR INSTALLATION

No.	Description	Required for
1	MAINS SWITCH)	On/Off power supply
1	THERMAL OVERLOAD 6-10 AMP	To protect hydraulic power pack
1	RESIDUAL CONTACT BREAKER 10MA (RCB)	To protect cover pump
1	MINI CONTACT BREAKER 3 AMP (MCB)	To protect cover pump
1	SURFACE SOCKET	To plug in cover pump
1	PLUG	To fit onto cover pump
1	FROST STAT	To protect filtration plant in winter
1	642 ENCLOSURE	To house frost stat
1	442 ENCLOSURE	For extending key switch and/or power supply cables
1	STRIP CONNECTOR	For extending key switch and/or power supply cables
1	8 MODULE ENCLOSURE	For thermal overload - MCB and RCB
1	EARTH/NEUTRAL BLOCK & SCREWS	For 8 module enclosure
1	INSTRUCTION SHEET	For qualified electrician

PACK 'B' - FOR INDOOR INSTALLATION

No.	Description	Required for
1	MAINS SWITCH)	On/Off power supply
1	THERMAL OVERLOAD 6-10 AMP	To protect hydraulic power pack
1	442 ENCLOSURE	For extending key switch and/or power supply cables
1	STRIP CONNECTOR	For extending key switch and/or power supply cables
1	3 MODULE ENCLOSURE	For thermal overload & MCB
1	INSTRUCTION SHEET	For qualified electrician

PACK 'C' - FOR COVER PUMP ONLY

No.	Description	Required for
1	MAINS SWITCH)	On/Off power supply
1	RESIDUAL CONTACT BREAKER 10MA (RCD)	To protect cover pump
1	MINI CONTACT BREAKER 3 AMP (MCB)	To protect cover pump
1	SURFACE SOCKET	To plug in cover pump
1	PLUG	To fit onto cover pump
1	3 MODULE ENCLOSURE	For MCB and RCB
1	INSTRUCTION SHEET	For qualified electrician