

AQM COVER SKEW ADJUSTMENT

Step 1

Prior to adjustment make sure that the cover is fully closed (i.e. fabric covers pool water) before attempting any skew adjustment. Remove pit housing lid

Step 2

Loosen the two wing nuts by two complete revolutions on Drive Unit. Insert a screwdriver into pre-cut slots (see diagram below) to adjust roller tube.

Step 3

Depending on which way the skew needs to be adjusted will depend on which way you move the slots located on the Drive Unit.

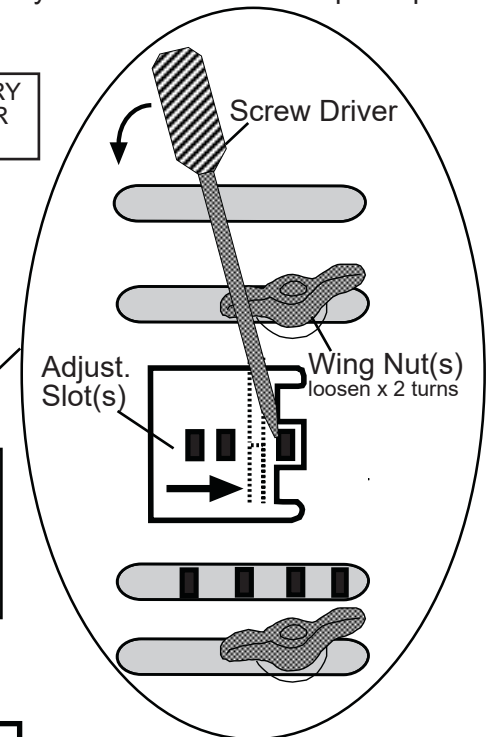
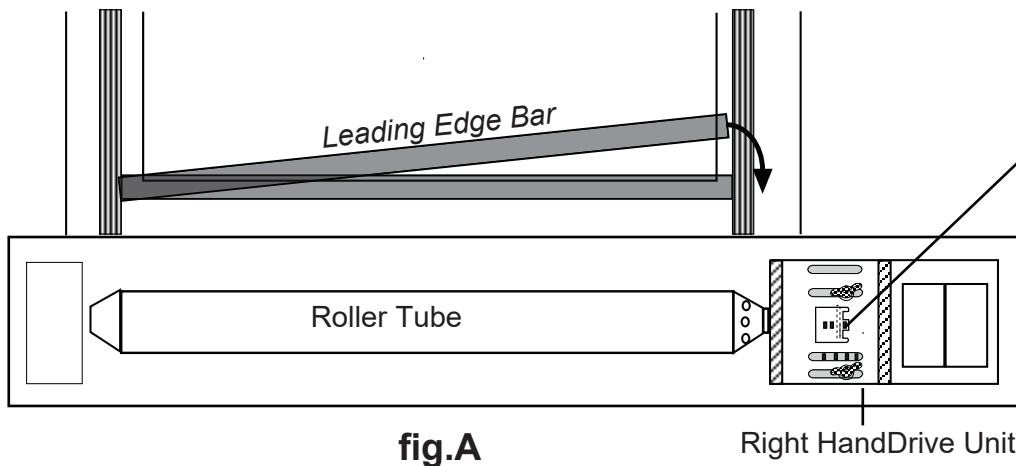
If for example, you need to move the Leading Edge Bar towards the pit housing as in **fig.A**, you will need to insert a screwdriver and lever the slots $1/4"$ - 6mm to the right. To adjust the skew the other way, lever the screwdriver to the left see **fig.B**. Do not be tempted to adjust more than $1/4"$ - 6mm at a time!

Step 4

Close and reopen the cover and repeat above procedure if more adjustment is required.

For Surface Mounted Cover systems:- remove the end lid panel above drive unit, loosen the wing nuts and adjust the motor base by hand or by leveraging against a stationary area. The same principal of adjustment as described above applies.

ON NEW AQM COVER INSTALLATIONS FREQUENT ADJUSTMENT WILL BE NECESSARY UNTIL FABRIC MATERIAL HAS BEEN ROLLED ON TO THE ROLLER DRUM A NUMBER OF TIMES AND CREATED IT'S OWN MEMORY.



THE SAME METHOD OF SKEW ADJUSTMENT IS THE SAME FOR EITHER LEFT OR RIGHT HAND DRIVE UNITS

