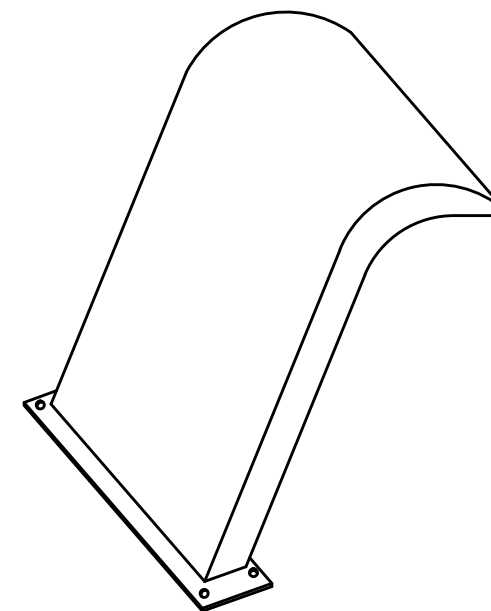
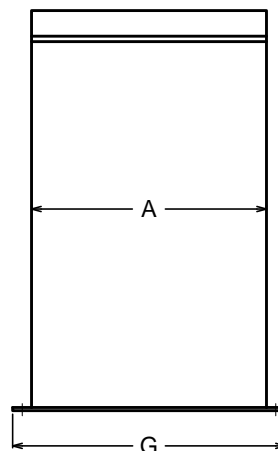
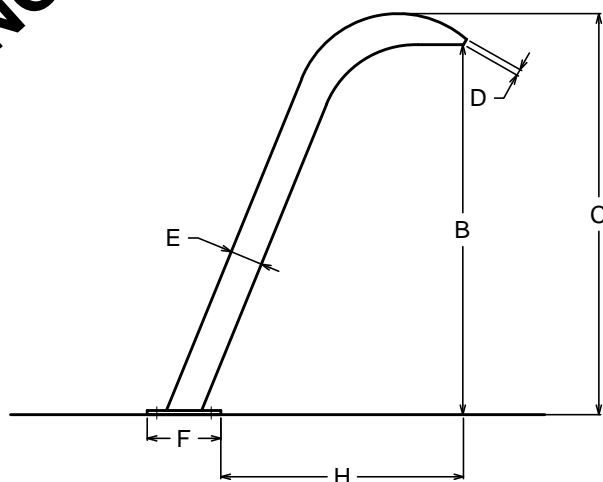


FONTANA INOX TIPO " BARBADOS" STAINLESS STEEL FOUNTAIN " BARBADOS" TYPE

316 L - V4 A

NOVITA



CODICE CODE	TIPO TYPE	A	B	C	D	E	F	G	H	PORTATA FLOW RATE
		mm	mm	mm	mm	mm	mm	mm	mm	
71 117	B 300	300	450	500	8	45	94	348	310	15 mc/h

**COSTRUITA IN ACCIAIO INOX AISI 316 L - V4A
ANCORAGGIO DI BASE NON INCLUSO**

**MANUFACTURED WITH AISI 316 L - V4A STAINLESS STEEL
FLANGE FOR FIXING TO THE PAVING NOT INCLUDED**

MAR.COD : 71 117

del 14/11/2016

rev. 0